

## WARRANTY

All OSD AUDIO electronics have (2) year Limited Warranty against defects in materials and workmanship. Proof of purchase must accompany all claims. During the warranty period OSD AUDIO will replace any defective part and correct any defect in workmanship without charge for either parts or labor

OSD AUDIO may replace returned electronics with a product of equal value and performance. In such cases, some modifications to the mounting may be necessary and are not OSD AUDIO's responsibility.

For this warranty to apply, the unit must be installed and used according to its written instructions. If necessary, repairs must be performed by OSD AUDIO. The unit must be returned to OSD AUDIO at the owner's expense and with prior written permission. Accidental damage and shipping damage are not considered defects, nor is damaged resulting from abuse or from servicing performed by an agency or person not specifically authorized in writing by OSD Audio

OSD AUDIO sells products only through authorized dealers and distributors to ensure that customers obtain proper support and service. Any OSD AUDIO product purchased from an unauthorized dealer or other source, including retailers, mail order dealers and online sellers will not be honored or serviced under existing OSD AUDIO warranty policy. Any sale of product by an unauthorized source or other manner not authorized by OSD AUDIO shall void the warranty on the applicable product.

Damage to or destruction of components due to application of excessive power voids the warranty on those parts. In these cases, repairs will be made on the basis of the retail value of the parts and labor. To return for repairs, you must email customer service at [RMA@audiogeargroup.com](mailto:RMA@audiogeargroup.com) for a Returned Merchandise Authorization (RMA) number then the unit must be shipped to OSD AUDIO at the owner's expense, along with a note explaining the nature of service required. Be sure to pack the product(s) in a corrugated container with at least 3 inches of resilient material to protect the unit from damage in transit.

This Warranty Does Not Cover: Damage caused by abuse, accident, misuse, negligence, or improper operation (installation) • Any products that have been altered or modified • Any product whose identifying number of decal, serial #, etc. has been altered, defaced or removed • Normal wear and maintenance.



# WSK SUB | 5.8 GHz WIRELESS SUBWOOFER KIT



[osdaudio.com](http://osdaudio.com)

WSK Sub 5.8 man 9/21

USERS GUIDE





Tired of running cables around doors or hiding under carpet to connect your subwoofer or rear surround speakers to the receiver? Or having limited options on subwoofer/ surround speakers placement due to cable length and component location? The WSK SUB providing premium-quality audio for stereo audio applications operating in the 5.8GHz bands. Simply connect the transmitter module to you're A/V processor and the receiver to your powered/ active subwoofer/surround speakers.

**Features:**

- \*45 channel selection – auto or need to set-up
- \*Up to 100 ft (30M) operation distance between transmitter and receiver (line of sight).
- \*The WSK SUB transmitter provides standard line level output which will drive most audio equipment including home theater AV Receivers/Surround Processor, Stereo Amplifiers, Audio Pre-Amplifier, Mixing Consoles, or even the DJ Mixer/Controller.

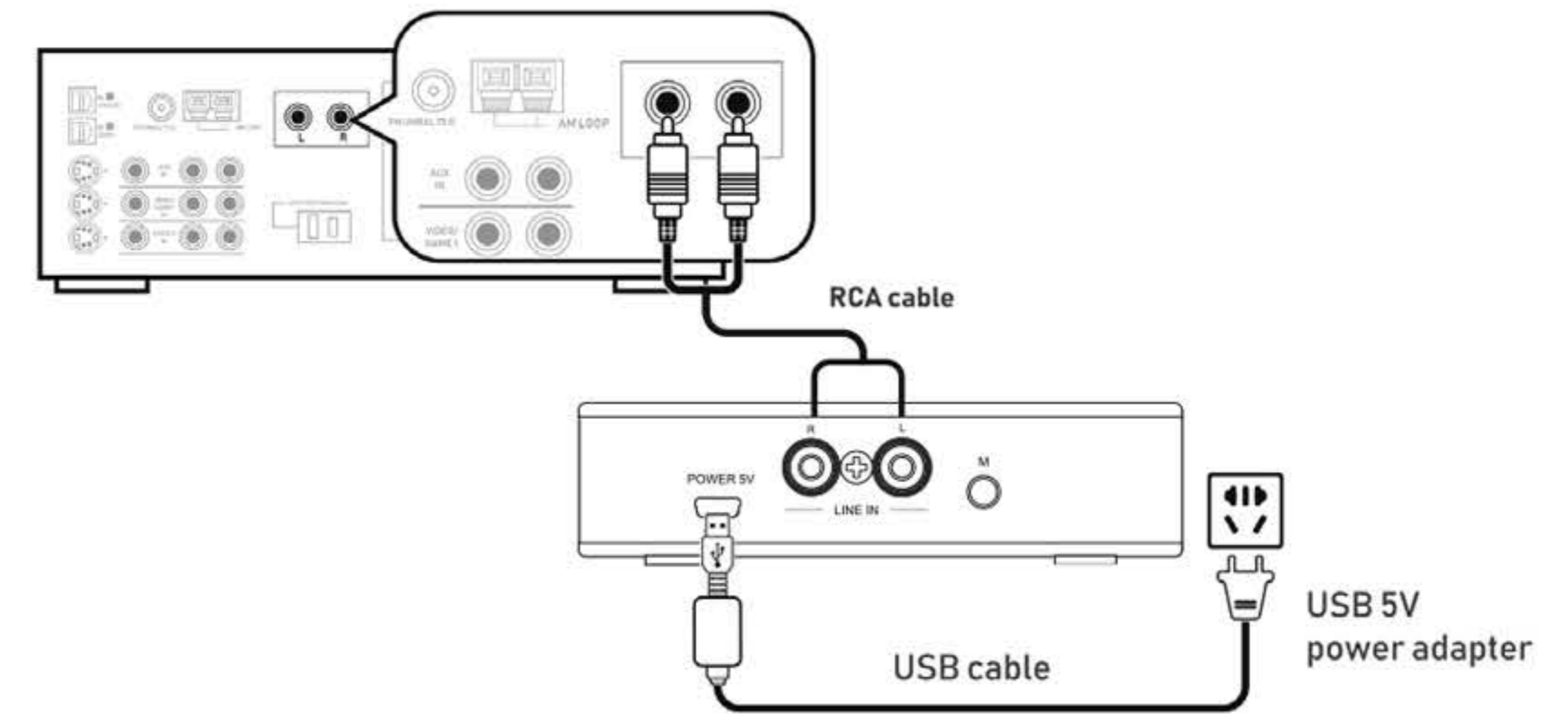
**Contents**

1. Transmitter (a)
2. Receiver (b)
3. 5V 1A USB Power Adapter (c) x 2
4. Stereo RCA Audio Cable (d) x 2
5. USB cable (e) x 2
6. RCA to Mini Phone Jack Cable x 1
7. Owner's Manual

**System Set up Variations**

**Transmitter**– with an AV Receiver/Surround Processor, or 2 Channels Pre-Amp have a line level subwoofer output labeled Subwoofer Pre Out, Sub Out, SW Out..etc

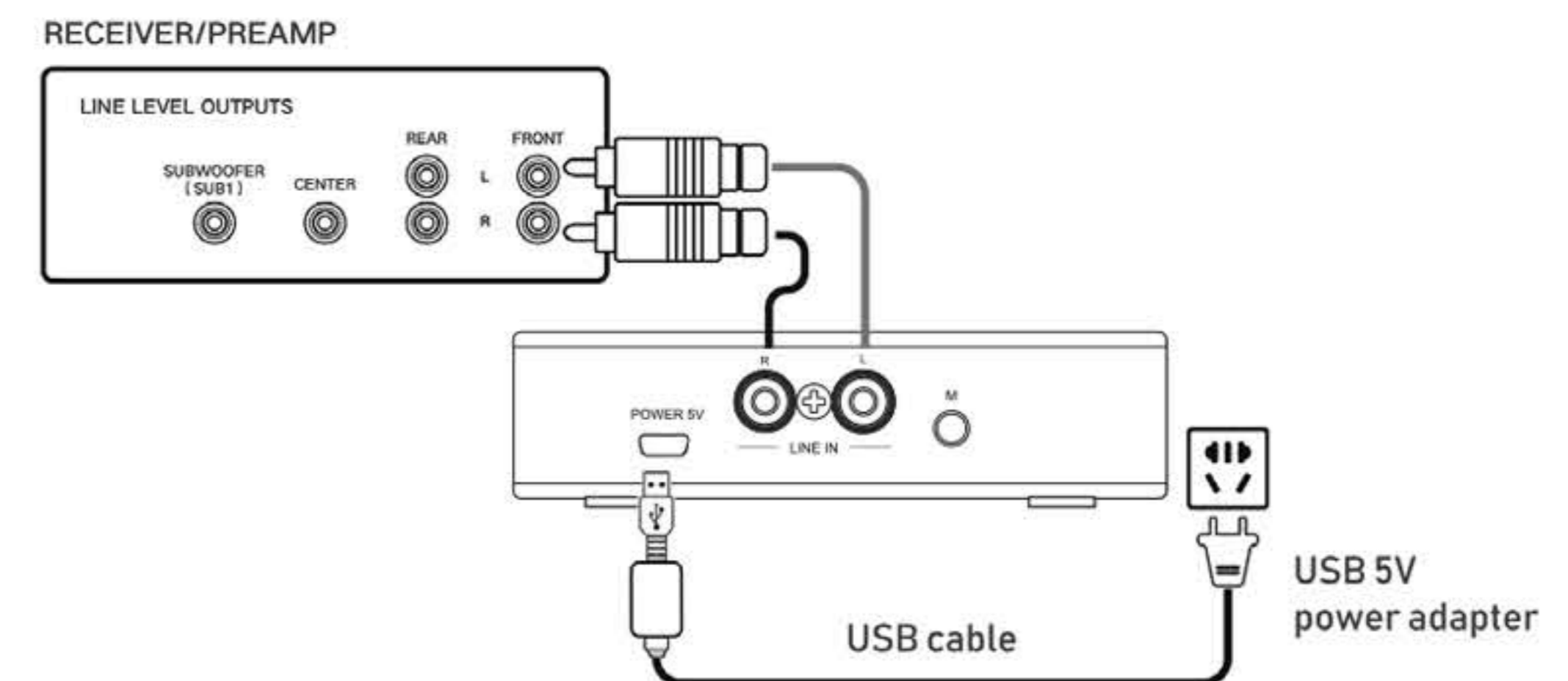
**Example 1: WSK SUB with an 5.1/7.1 AV Receiver or Surround Processor**



**Step 1** - Use the supplied (d) RCA cable to connect the Subwoofer Pre-Out or LFE output of your AV receiver and to the (a) WSK SUB wireless transmitter Audio Input. *You can leave right RCA plug unconnected if you are connecting to a subwoofer as mono signal*

**Step 2** - Plug supplied (e) USB A to Micro B cable into “POWER” on the (a) WSK SUB transmitter, and plug other end into the (c) 5V 1A power supply, and plug into an 120V AC outlet

**Example 2: WSK SUB Wireless Transmitter with a 2 Channel Stereo Pre-Amplifier:**



**Step 1** - Use the supplied (d) RCA cable to connector the 2 channel stereo pre-amplifier's L/R line level Pre-Outs to (a) WSK SUB wireless transmitter L/R input

*\*Leave right RCA plug unconnected if you have a mono source*

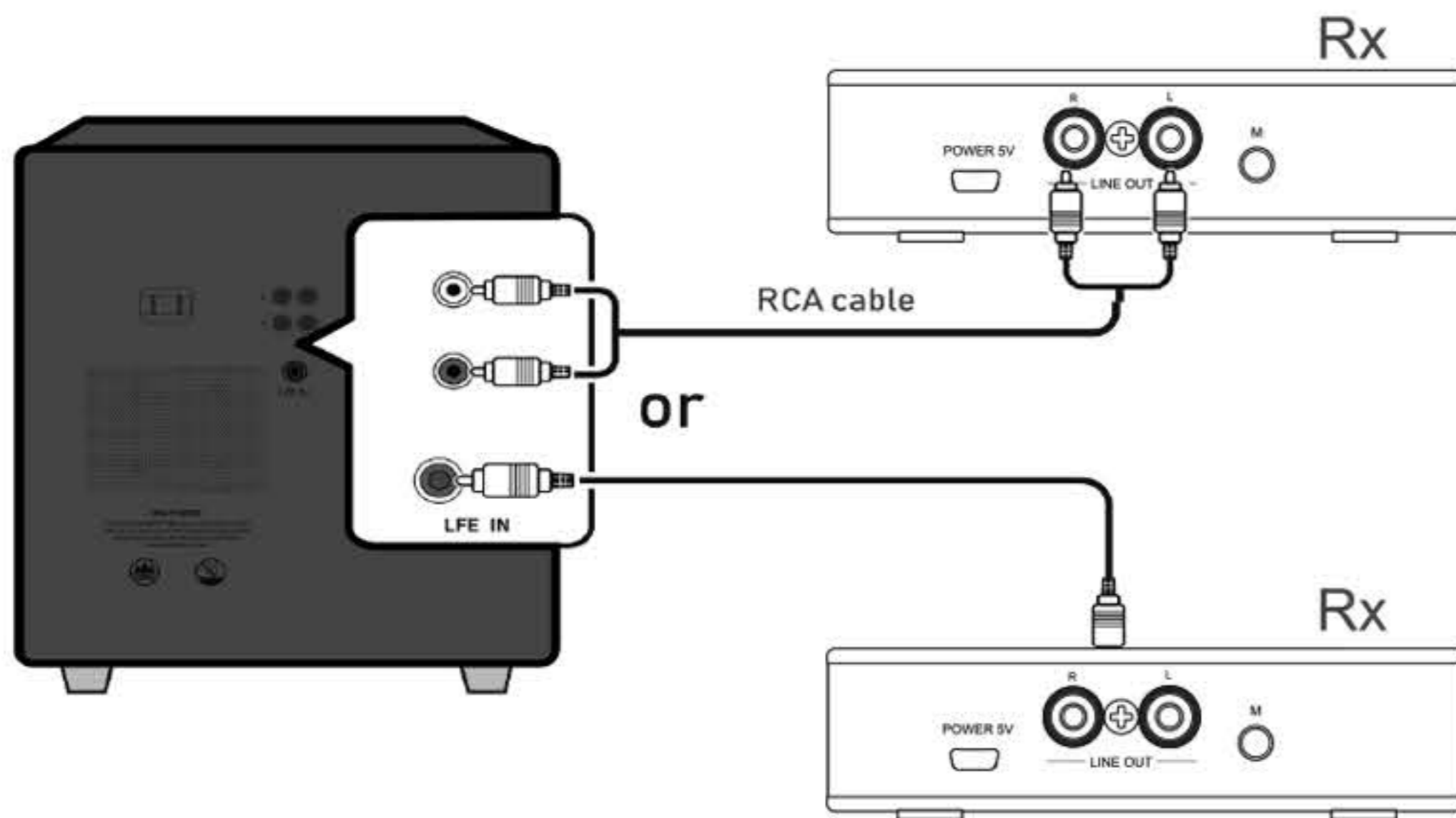
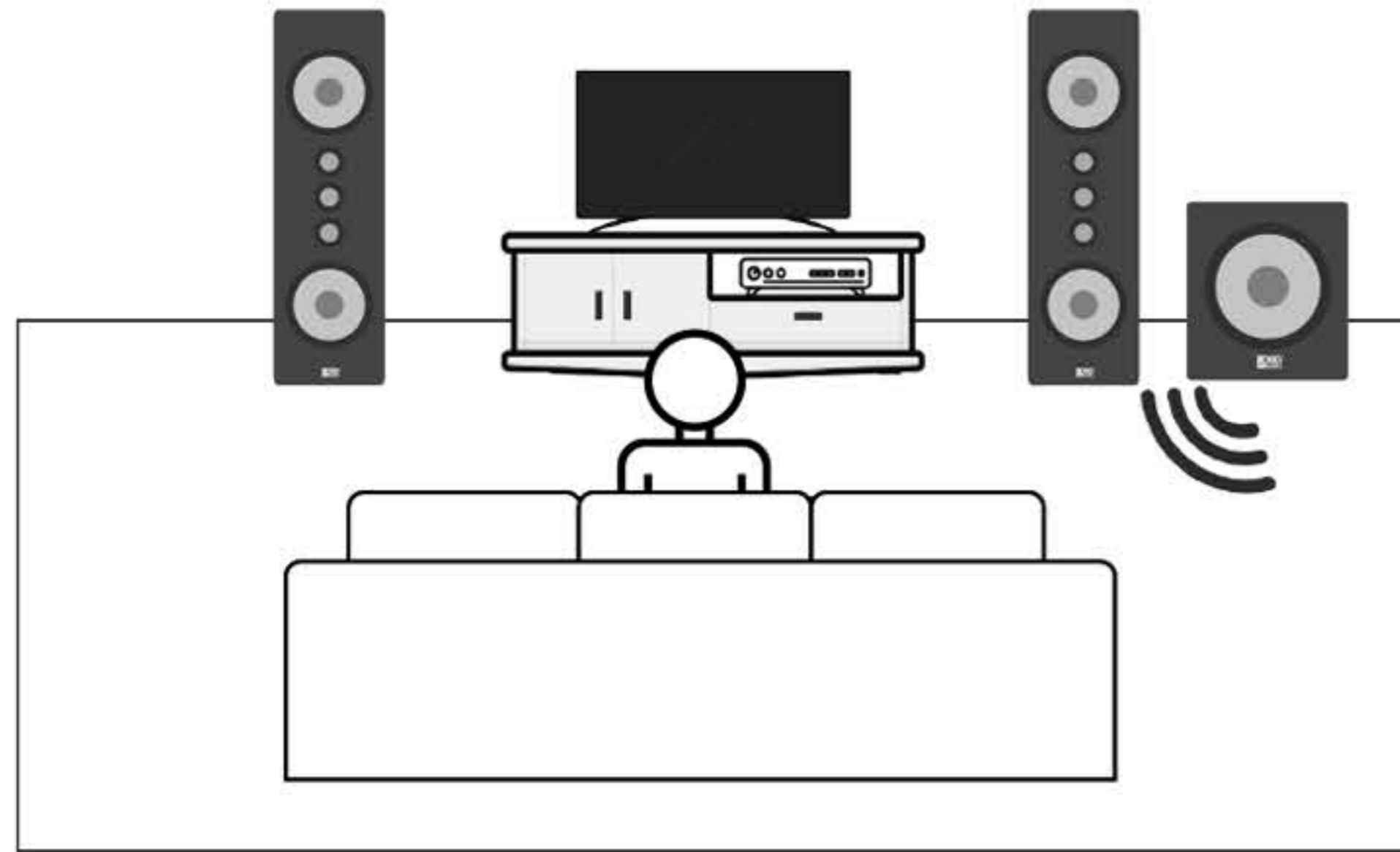
**Step 2** - Plug supplied (e) USB A to Micro B cable into “POWER” on the (a) WSK SUB



transmitter, and plug other end into the (c) 5V 1A power supply, and plug into an 120V AC outlet Receiver - with Powered/Active Subwoofer, or Powered/Active Surround Speakers

**Receiver** - with Powered/Active Subwoofer, or Powered/Active Surround Speakers

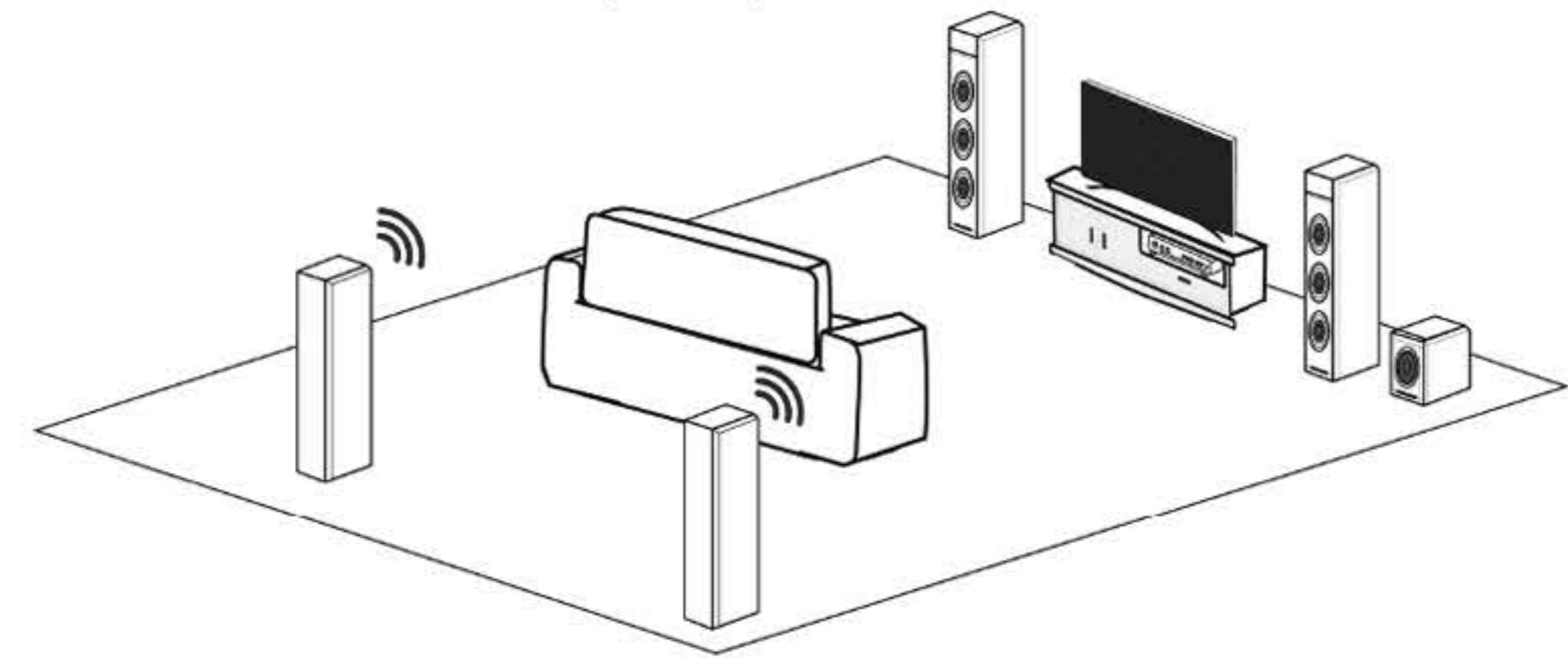
**Example 3: WSK SUB Wireless Receiver with a Powered/Active Subwoofer**



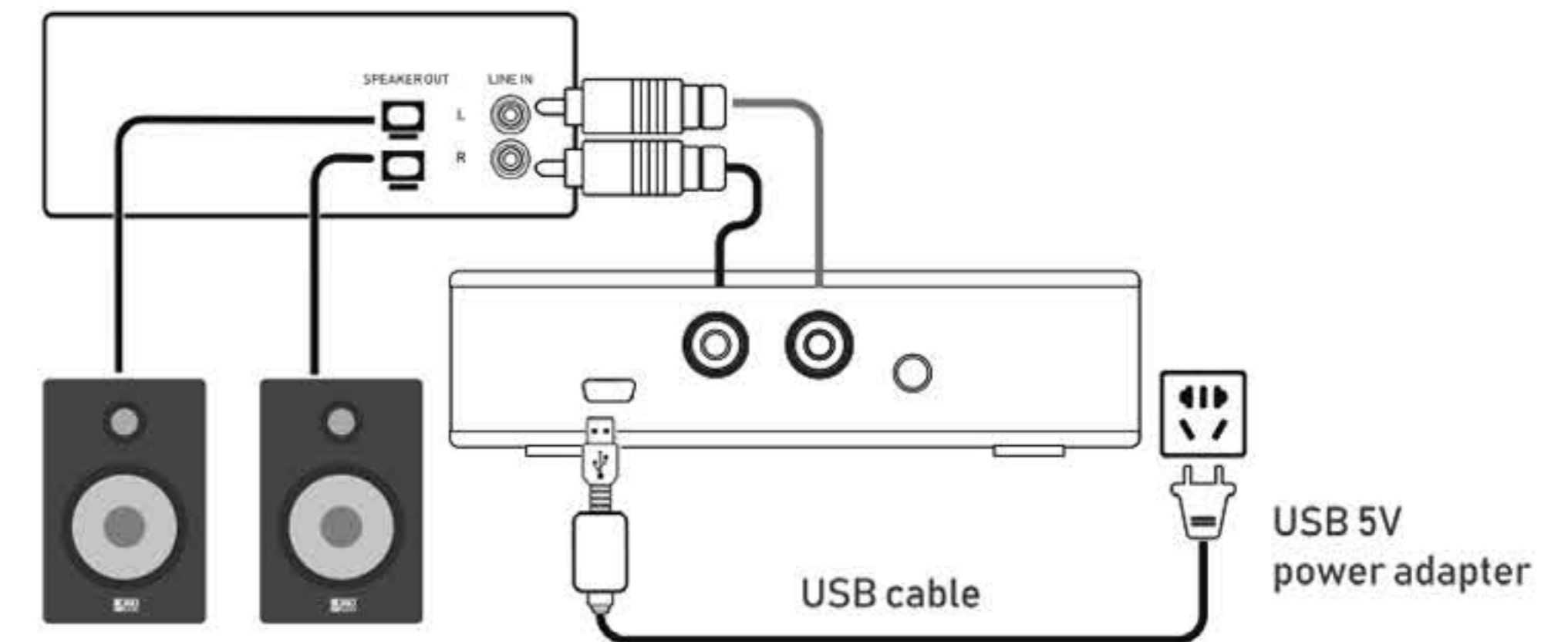
Place the subwoofer at its intended location (refer to your subwoofer owner's manual), and using the supplied (d) RCA cable to connect the (b) WSK SUB wireless receiver audio output to your subwoofer audio input.

*If you're using a different sub that only has a single LFE input, connect the same color RCA that you used for your AV Receivers SUB / LFE out, and leave the other unplugged on the WSK SUB audio output and subwoofer audio input*

**Example 4: WSK SUB with a Powered/Active Surround Speaker (Or the loudspeakers with their own amplifier)**

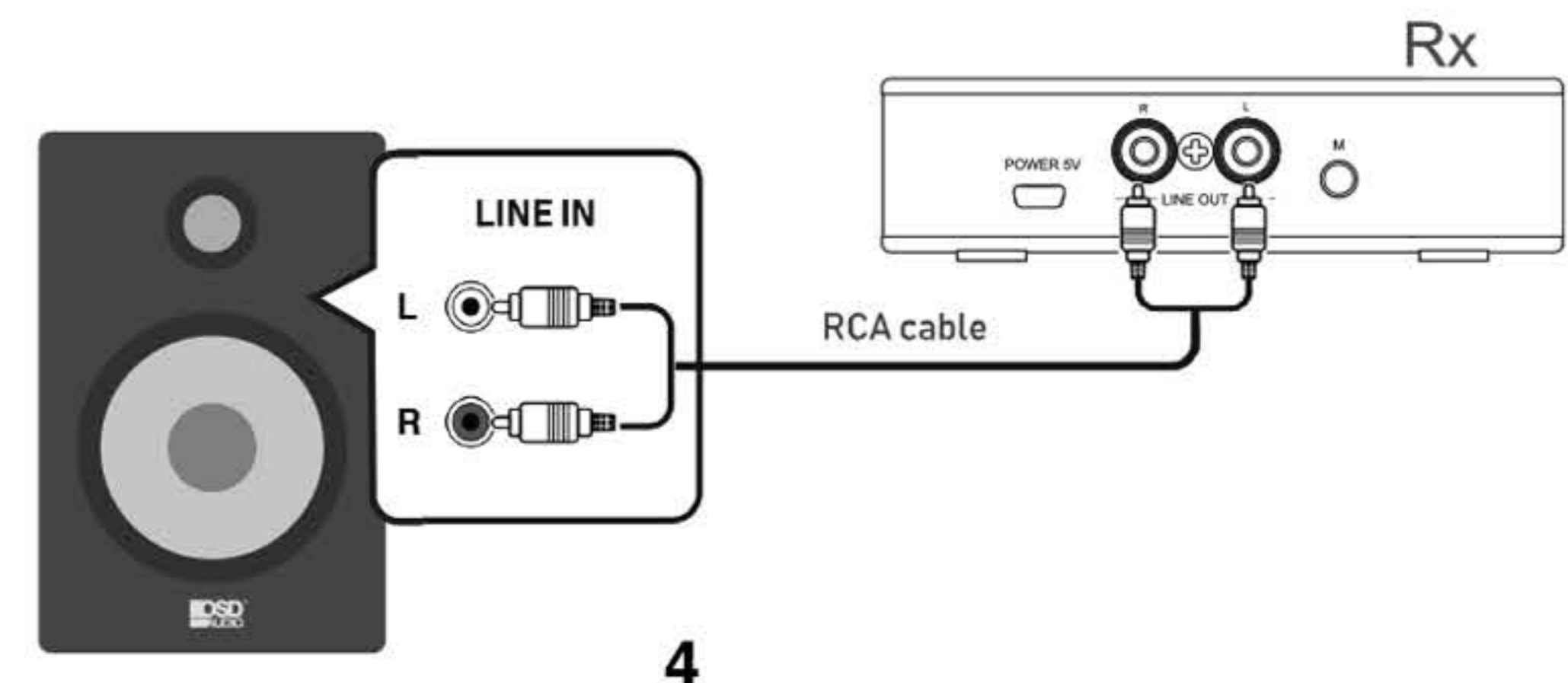


**Option 1:** connecting with 2 channels stereo amplifier + Passive Speaker - Connecting with 2 channels stereo amplifier + Passive Speaker - Use the supplied (d) stereo RCA cable to connect the (b) WSK SUB wireless receiver L + R output to your 2 channels stereo amplifier audio RCA line In, the amplifier should be connected with passive speaker via conventional speaker wiring



*The WSK SUB 5.8G wireless set transmits full frequency audio and can be used for full-frequency active speakers)*

**Option 2:** connecting with Powered/Active Surround Speaker - Use the supplied (d) stereo RCA cable to connect the (b) WSK SUB wireless receiver L+R output to your pair of powered/active speaker's audio RCA line In.

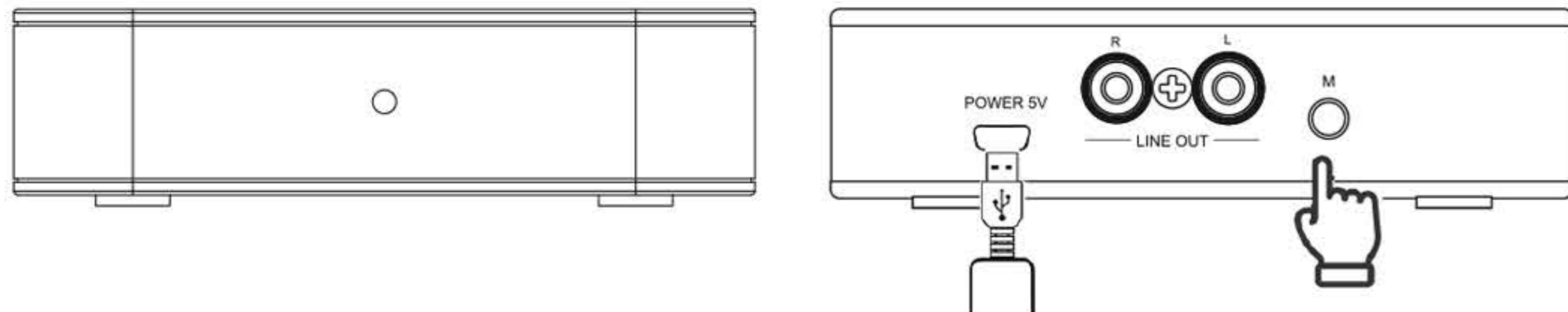




## Pairing the Transmitter to the Receiver

\* \* For the best audio signal quality results, please ensure that there are no obstacles to install within 50~100 feet operation distance between the transmitter and receiver/ speakers with line-of-sight (no walls or solid barriers)

\* The transmitter and receiver are automatically paired and synced as the factory with blue LED on solid when powered on



\* Successful pairing will be indicated by a steady blue light on the transmitter and receiver.

\* The transmitter and receiver have a pairing button on the back panel with 45 channel auto selection, if you experience any interference, or the flashing light indicates the units are not paired. Simply press and hold the M button on both units for 5 seconds, both will blink a few times then turn solid blue when they are successfully paired.

### FCC STATEMENT

1. This device complies with Part 15 of the FCC Rules. Operation is subject to the following two conditions:

- (1) This device may not cause harmful interference, and
- (2) This device must accept any interference received, including interference that may cause undesired operation.

2. Changes or modifications not expressly approved by the party responsible for compliance could void the user's authority to operate the equipment.

**NOTE:** This equipment has been tested and found to comply with the limits for a Class B digital device, pursuant to Part 15 of the FCC Rules. These limits are designed to provide reasonable protection against harmful interference in a residential installation.

This equipment generates uses and can radiate radio frequency energy and, if not installed and used in accordance with the instructions, may cause harmful interference to radio communications. However, there is no guarantee that interference will not occur in a particular installation. If this equipment does cause harmful interference to radio or television reception, which can be determined by turning the equipment off and on, the user is encouraged to try to correct the interference by one or more of the following measures:

- Reorient or relocate the receiving antenna.
- Increase the separation between the equipment and receiver.
- Connect the equipment into an outlet on a circuit different from that to which the receiver is connected.
- Consult the dealer or an experienced radio/TV technician for help.

## Specifications:

**Audio transmission:** Digital, uncompressed, bidirectional, adaptive FHSS

**Transmitter frequency:** 5.8 GHz

**Transmitter operating range:**

Max 100 ft - line of sight (best result)

Max. 50 ft - through walls and ceilings (not recommend)

**Frequency response:** 10Hz ~ 23KHz

**Signal-to-noise ratio:** >80dB

**Audio Output Level:** 2V

**Total harmonic distortion:** typ. -90 dB

**Transmitter input voltage level:** 1.2Vrms

**Receiver output voltage level:** 1.2 Vrms

**Max. number of receivers per transmitter:** 4

**Transmitted data rate:** 5 Mbps

**Channel separation:** typ. >60 dB

**Dimensions (transmitter & receiver):** 3.94" x 2.36" x 1.04"(100mm x 60mm x 26.5mm)