

## Warranty Information

All OSD NERO speaker products have a (15) year Limited Warranty against defects in materials and workmanship. Proof of purchase must accompany all claims. During the warranty period OSD AUDIO will replace any defective part and correct any defect in workmanship without charge for either parts or labor. OSD AUDIO may replace returned speakers with a product of equal value and performance. In such cases, some modification to the mounting may be necessary and are not OSD AUDIO's responsibility.

For this warranty to apply, the unit must be installed and used according to its written instructions. If necessary, repairs must be performed by OSD AUDIO. The unit must be returned to OSD AUDIO at the owner's expense and with prior written permission. Accidental damage and shipping damage are not considered defects, nor is damaged resulting from abuse or from servicing performed by an agency or person not specifically authorized in writing by OSD Audio

OSD AUDIO sells products only through authorized dealers and distributors to ensure that customers obtain proper support and service. Any OSD AUDIO product purchased from an unauthorized dealer or other source, including retailers, mail over dealers and on-line sellers will not be honored or serviced under existing OSD AUDIO warranty policy. Any sale of product by an unauthorized source or other manner not authorized by OSD AUDIO shall void the warranty on the applicable product.

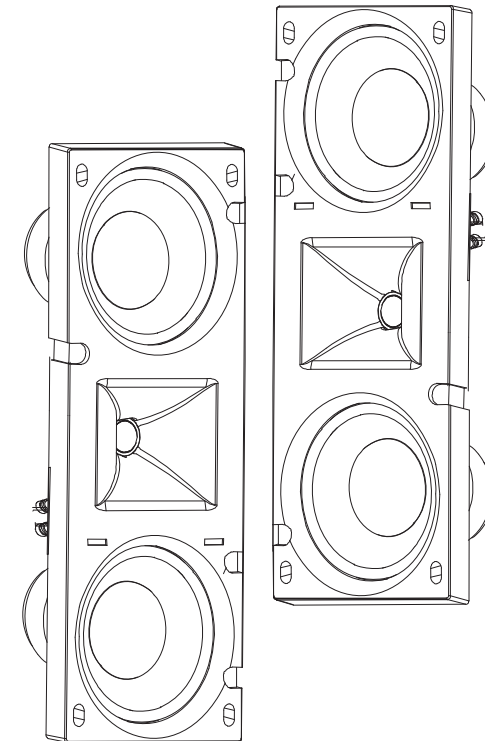
Damage to or destruction of components due to application of excessive power voids the warranty on those parts. In these cases, repairs will be made on the basis of the retail value of the parts and labor. To return for repairs, you must email customer service at [RMA@audiogeargroup.com](mailto:RMA@audiogeargroup.com) for a Returned Merchandise Authorization (RMA) number# then the unit must be shipped to OSD AUDIO at the owner's expense, along with a note explaining the nature of service required. Be sure to pack the speaker(s) in a corrugated container with at least 3 inches of resilient material to protect the unit from damage in transit.

### This Warranty Does Not Cover:

Damage caused by abuse, accident, misuse, negligence, or improper operation (installation) • Any products that have been altered or modified • Any product whose identifying number of decal, serial #, etc. has been altered, defaced or removed • Normal wear and maintenance.

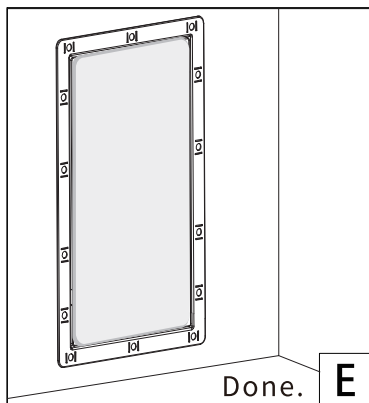
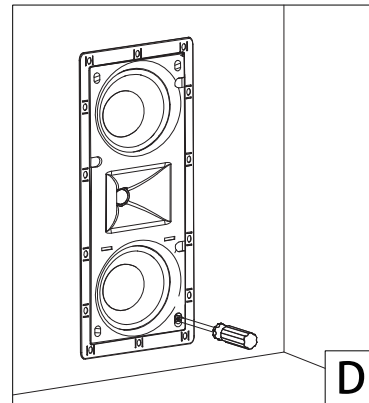
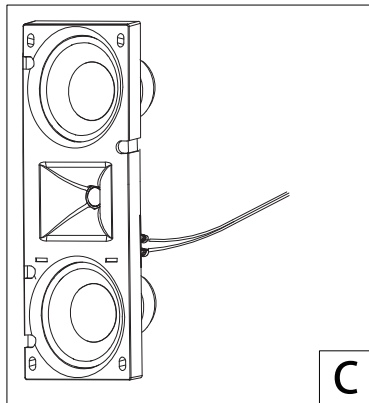
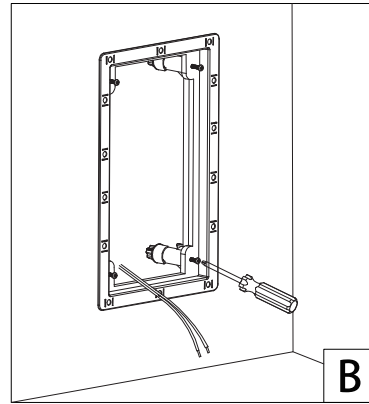
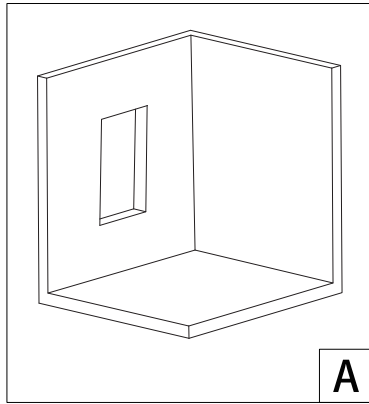


## NERO IWLCR53-55



## USER MANUAL

## Installation Instructions



## Product Specifications

|                      |  |
|----------------------|--|
| Model                | NERO-IWL53                                     |
| Tweeter              | 1" (25 mm) Silk soft dome                      |
| Woofer               | 5" x 2 (125 mm) Graphite Cone, Rubber Surround |
| Frequency Range+/-10 | 50Hz -20kHz                                    |
| Power Handling Peak  | 10-150W Peak                                   |
| Sensitivity          | 88 dB  |
| Taps                 | N/A  |
| Impedance            | 8 ohms   |
| Termination          | Sprung connector                               |
| Included Accessories | Cut out template, Grille                       |
| Dimensions (H*D*W)   | "17.4" x 7.5" x 4" (100mm x 442mm x 190mm)     |
| Cut out diameter     | 16.33" x 6.49" (415mm x 165mm )                |
| Material             | ABS  |

|                      |  |
|----------------------|--|
| Model                | NERO-IWL55                                   |
| Tweeter              | 1" (25 mm) Aluminum dome                     |
| Woofer               | 5" x 2 (125 mm) Kevlar Cone, Rubber Surround |
| Frequency Range+/-10 | 45Hz -20kHz                                  |
| Power Handling Peak  | 10-160W Peak                                 |
| Sensitivity          | 89 dB  |
| Taps                 | N/A  |
| Impedance            | 8 ohms                                       |
| Termination          | Sprung connector                             |
| Included Accessories | Cut out template, Grille                     |
| Dimensions (H*D*W)   | "17.4" x 7.5" x 4" (100mm x 442mm x 190mm)   |
| Cut out diameter     | 16.33" x 6.49" (415mm x 165mm )              |
| Material             | ABS  |