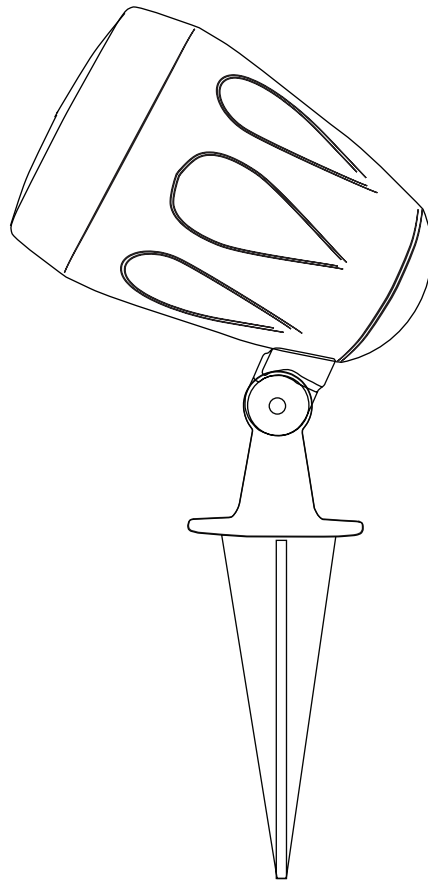




FORZA LS SERIES

LANDSCAPE SPEAKER
INSTALL GUIDE

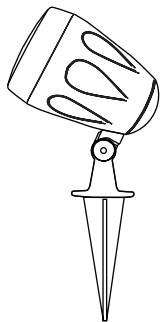


Tools Needed

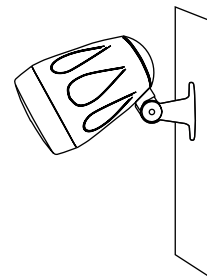
- Drill
- Hammer/Mallet
- Knife
- Phillips Screwdriver
- Wire Cutter
- Measuring Tape
- Volume Control (Optional)
- Silicon Cable Connectors (Optional)
- Speaker Wire/ Direct Burial Wire

18 AWG minimum - for distances up to 10 ft
16 AWG - from 10 to 50 ft
14 AWG - from 50 to 100ft

Mounting Options

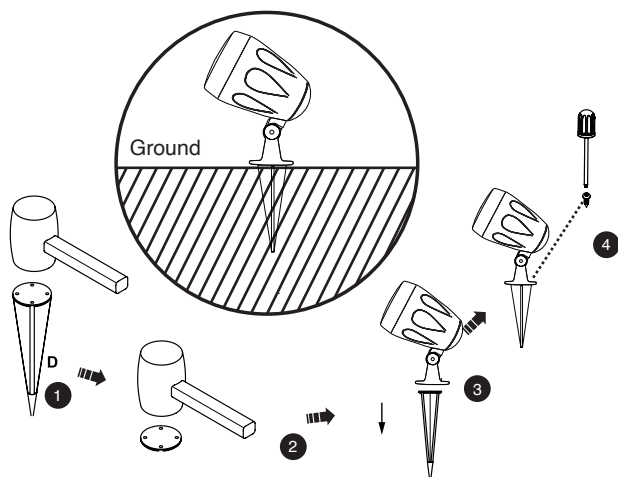


On-Ground

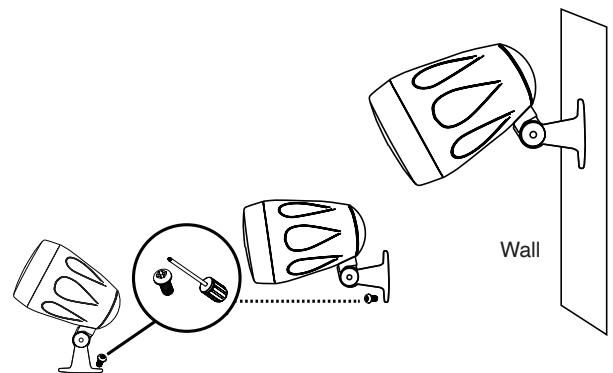


Surface Mount

On-Ground



Surface Mount



Placement

Designate the general listening area where the speakers would be most ideal. The speakers should face the listening area and be placed within 20 feet of the general listening area for optimum performance. Use this method for both indoor and outdoor applications. (See Diagram 1)

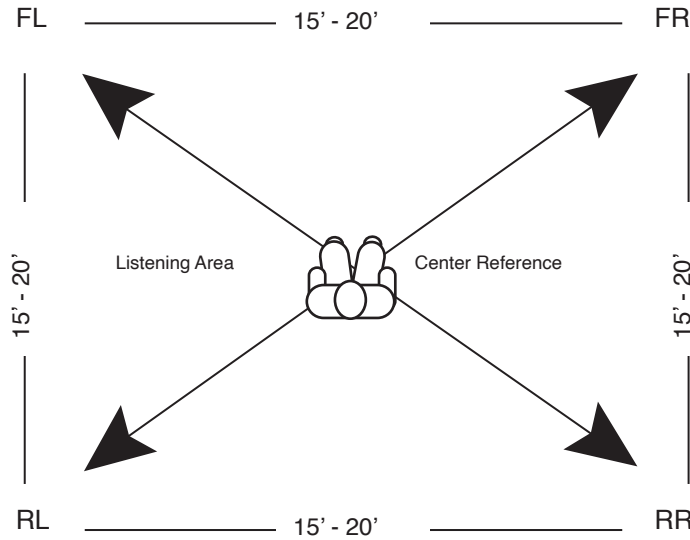


Diagram 1

Connection

Use a stereo receiver or multi-channel Amplifier to connect the speakers. Please note, the red lead indicates positive signal (+) and the black indicates negative signal (-). Connecting the positive and negative leads incorrectly will cause it to be out of phase and will result in weak performance. (See Diagram 2)

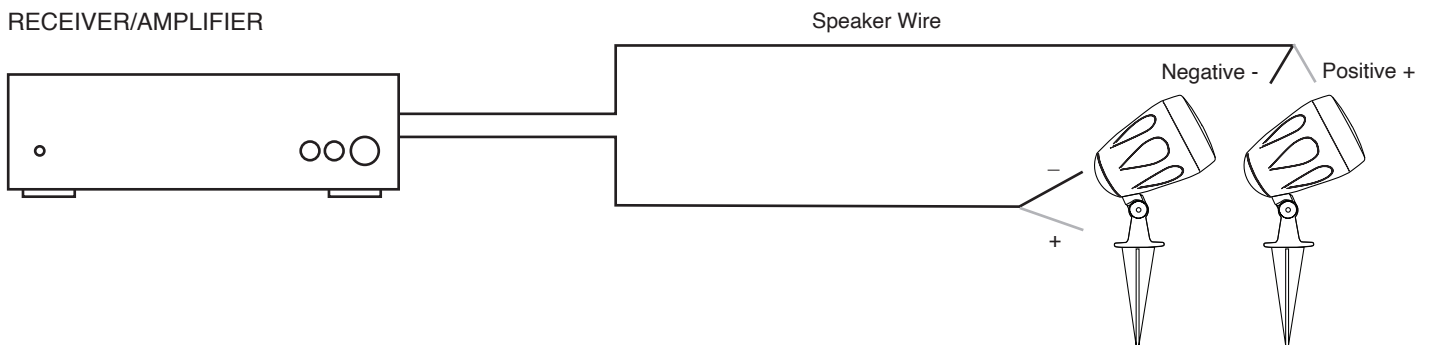


Diagram 2

System Diagrams

For optimum performance & sound quality we recommend combining the FORZA LS with our Forza10 Subwoofer. Create an unobtrusive stealthy outdoor sound system with the following system diagrams. Additional system configurations can be created for up to 8 pairs of speakers using multichannel amplifiers and or series parallel wiring using the following System Diagrams.

Note: Please consult your electronics manual for Impedance and Power Rating before wiring a multi speaker system.

Diagram 3 shows a simple 2.1 system using 2 channel Receiver/Amp with a Mono Amp & Subwoofer

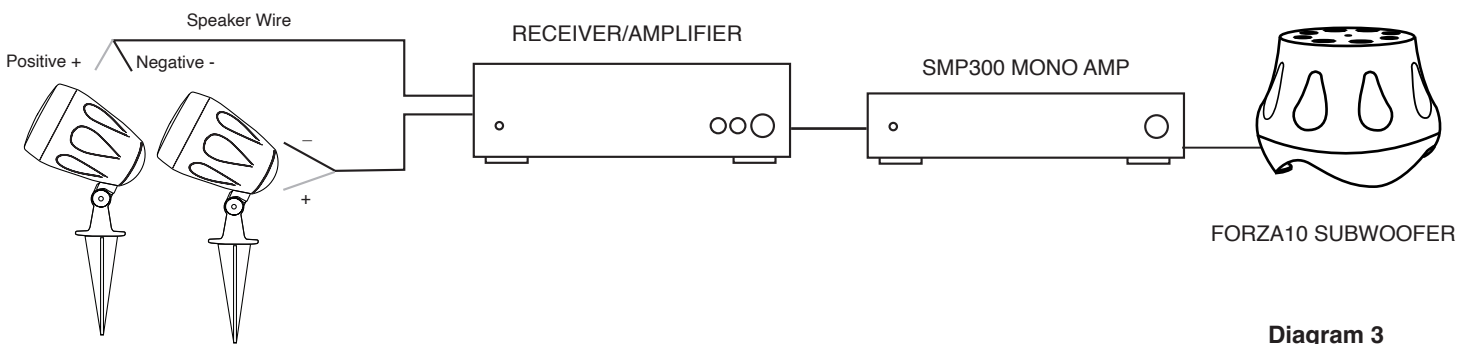


Diagram 3

Diagram 4 shows a 2 pair system using the A/B stereo outputs along with a Mono Amp & Subwoofer

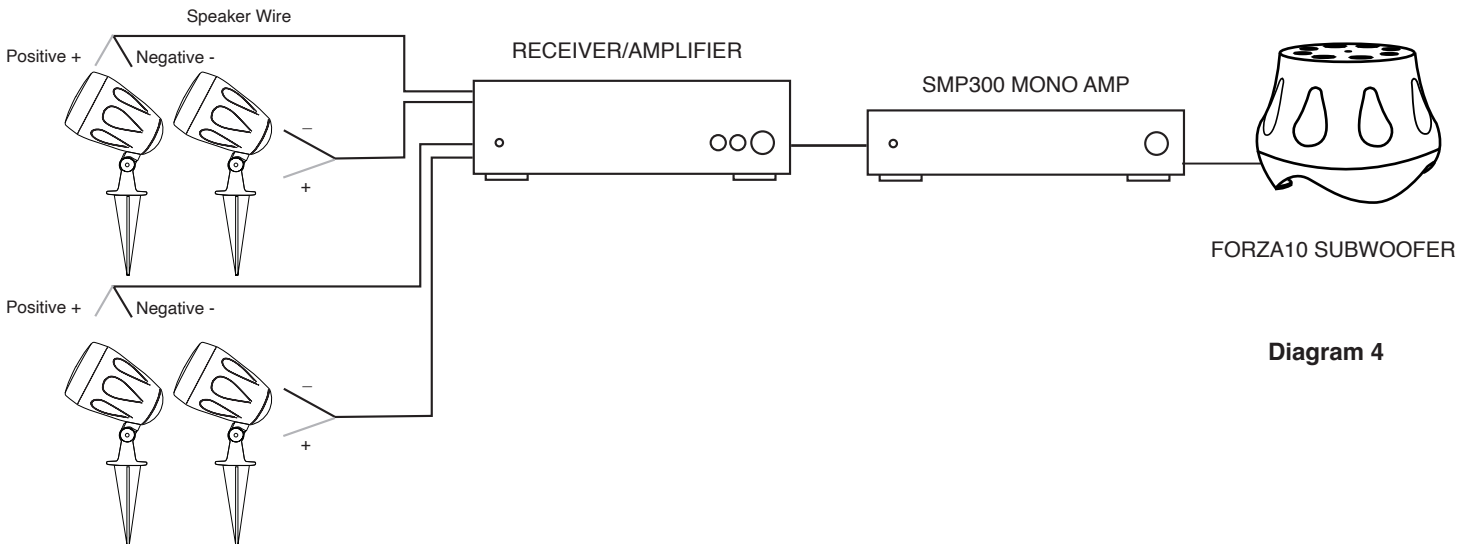


Diagram 4

Specifications

Spec	FORZA 4 LS	FORZA 5 LS	FORZA 6 LS
Woofers	4" Polypropylene Cone	5.25" Polypropylene Cone	6.5" Polypropylene Cone
Tweeter	.75" Silk Dome	1" Silk Dome	1" Silk Dome
Power Handling	40W RMS / 80W Max	50W RMS / 100W Max	60W RMS / 120W Max
Frequency Response (± 3 dB)	110Hz – 20kHz	100Hz – 20kHz	90Hz – 20kHz
Nominal Impedance	8 Ohm	8 Ohm	8 Ohm
Sensitivity	83dB	84dB	85dB
Transformer Taps (70V)	8 Ω / Off / 10W / 5W / 2.5W / 1.25W	8 Ω / Off / 15W / 7.5W / 3.75W / 1.87W	8 Ω / Off / 20W / 10W / 5W / 2.5W
Transformer Taps (100V)	8 Ω / Off / 20W / 10W / 5W / 2.5W	8 Ω / Off / 30W / 15W / 7.5W / 3.75W	8 Ω / Off / 40W / 20W / 10W / 5W
IP Rating	IP66	IP66	IP66
Dimensions	5.4" x 7.5" (137 x 190 mm)	6.7" x 9.4" (170 x 240 mm)	8.2" x 11" (208 x 280 mm)



Warranty Information

All OSD AUDIO outdoor speakers have (1) year Limited Warranty against defects in materials and workmanship. Proof of purchase must accompany all claims. During the warranty period OSD AUDIO will replace any defective part and correct any defect in workmanship without charge for either parts or labor

OSD AUDIO may replace returned speakers with a product of equal value and performance. In such cases, some modifications to the mounting may be necessary and are not OSD AUDIO's responsibility.

For this warranty to apply, the unit must be installed and used according to its written instructions. If necessary, repairs must be performed by OSD AUDIO. The unit must be returned to OSD AUDIO at the owner's expense and with prior written permission. Accidental damage and shipping damage are not considered defects, nor is damaged resulting from abuse or from servicing performed by an agency or person not specifically authorized in writing by OSD Audio

OSD AUDIO sells products only through authorized dealers and distributors to ensure that customers obtain proper support and service. Any OSD AUDIO product purchased from an unauthorized dealer or other source, including retailers, mail order dealers and online sellers will not be honored or serviced under existing OSD AUDIO warranty policy. Any sale of product by an unauthorized source or other manner not authorized by OSD AUDIO shall void the warranty on the applicable product.

Damage to or destruction of components due to application of excessive power voids the warranty on those parts. In these cases, repairs will be made on the basis of the retail value of the parts and labor. To return for repairs, you must email customer service at RMA@audiogeargroup.com for a Returned Merchandise Authorization (RMA) number then the unit must be shipped to OSD AUDIO at the owner's expense, along with a note explaining the nature of service required. Be sure to pack the product(s) in a corrugated container with at least 3 inches of resilient material to protect the unit from damage in transit.

This Warranty Does Not Cover: Damage caused by abuse, accident, misuse, negligence, or improper operation (installation) • Any products that have been altered or modified • Any product whose identifying number of decal, serial #, etc. has been altered, defaced or removed • Normal wear and maintenance.